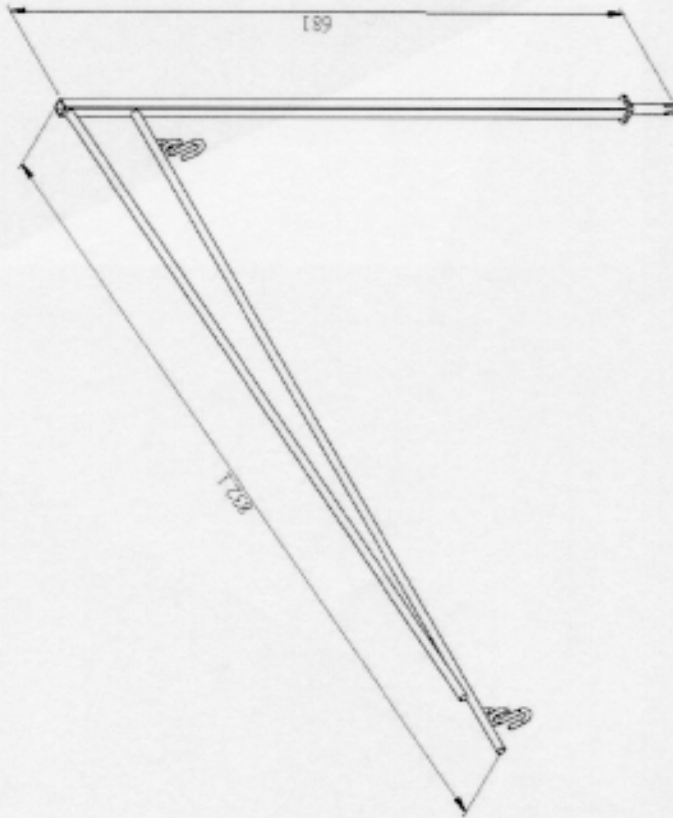


CUSTOMER

Part No.	Description	Col or SV
ASI 0054A00654	90 degree sign holder for end cap SV	SV



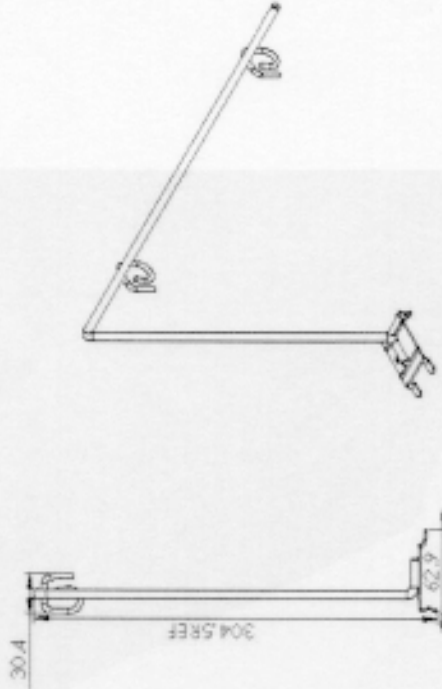
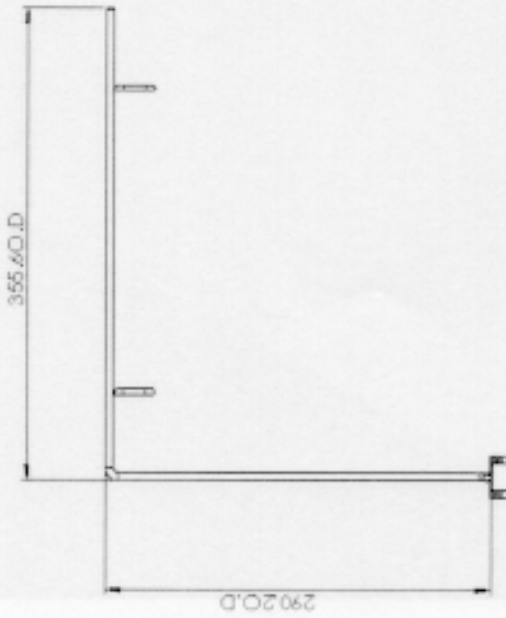
NOTE:
1. Material: Sheet&Tube&Wire
2. UNIT:mm

DOWN	MAT	TITLE
DESIGNED	FINISH	DWG NO.
CHECKED	1ST ANGLE PROJECTION	PAGE NO.
APPROVED	Mairmon Retail Store Fixtures	
	SCALE	1:50
		1ST DATE
		2014-1-14
		PAGE
		1-1



CUSTOMER

Part No.	Description	Col or SV
AS1 0110/MC654	Sign holder grocery 12" f or shelf SV	SV



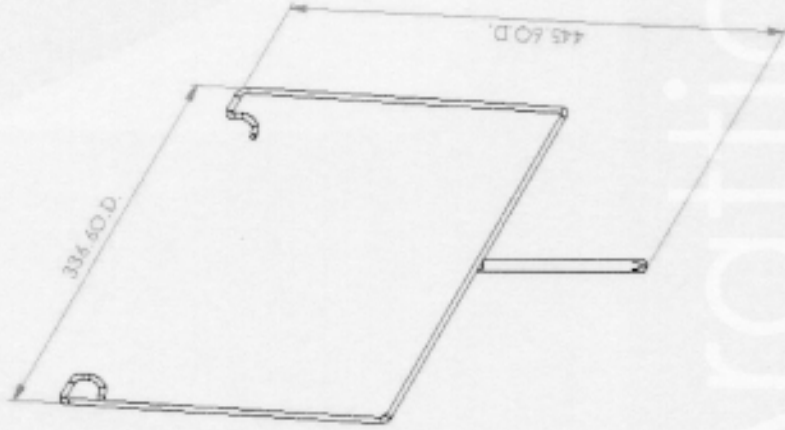
NOTE:
1. Material: Sheet & Tube & Wire
2. UNIT: mm

DRAWN	MAT	TITLE	PART NO
DESIGNED	FINISH	DWG NO	
CHECKED	1ST ANGLE PROJECTION	PART NO	
APPROVED	Marmon Retail Store Fixtures		1ST DATE 2014-1-14
	SCALE 1:50	PAGE 1-1	



CUSTOMER

Part No.	Description	Col or SV
ASI 1211/AD0654	Signal holder 12" x 11" SV	SV



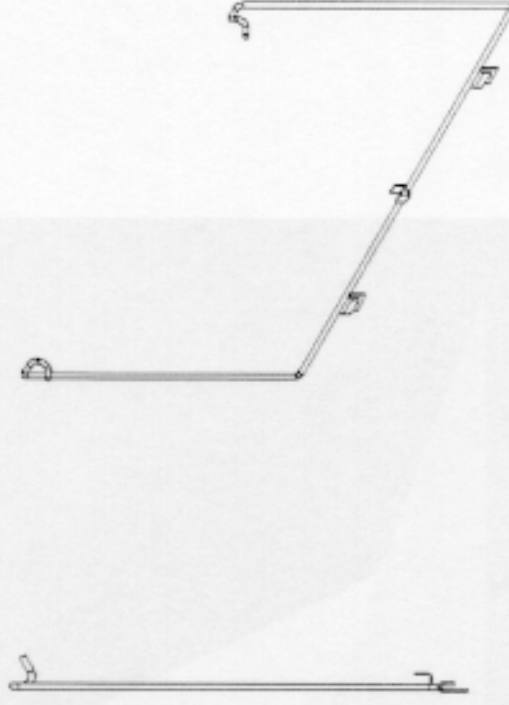
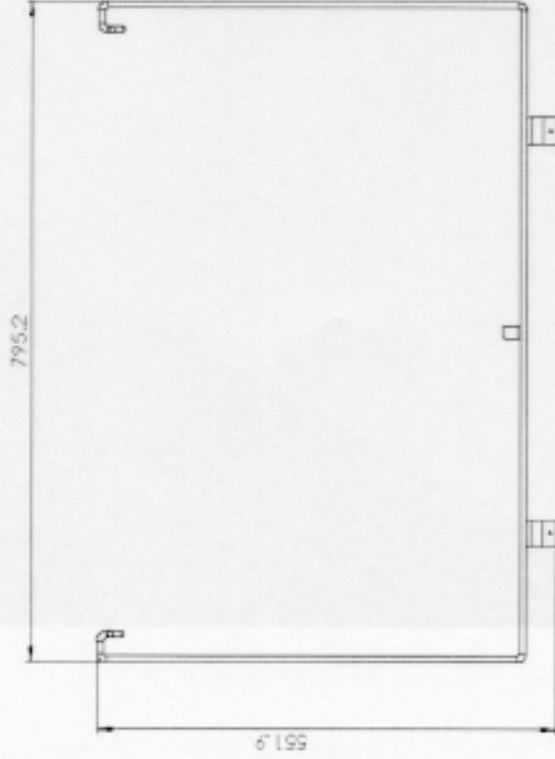
NOTE
1. Material: Wire
2. UNIT: mm

DRAWN	MAF	TITLE	DATE
DESIGNED	FRASH	DWG NO.	
CHECKED	1ST ANGLE PROJECTION	PART NO.	
APPROVED	Marmon Retail	1ST DATE	2014-1-14
	Store Fixtures	SCALE	1:50
		PAGE	1-1



CUSTOMER

Part No.	Description	Color
ASI 3019B0C215	Signholder F/EC 30" x 19" FS	RS
ASI 3019B0C231	Signholder F/EC 30" x 19" DG	DG
ASI 3019B0C654	Signholder F/EC 30" x 19" SV	SV



NOTE:
1 Material: Sheet&Wire
2 UNIT:mm

DRAWN		TITLE	
DESIGNED		DWG NO.	
CHECKED		PART NO.	
APPROVED		1ST DATE	2014-3-14
		SCALE	1:50
		PAGE	1-1

**Maimon Retail
Store Fixtures**

