

CUSTOMER

PART NO.

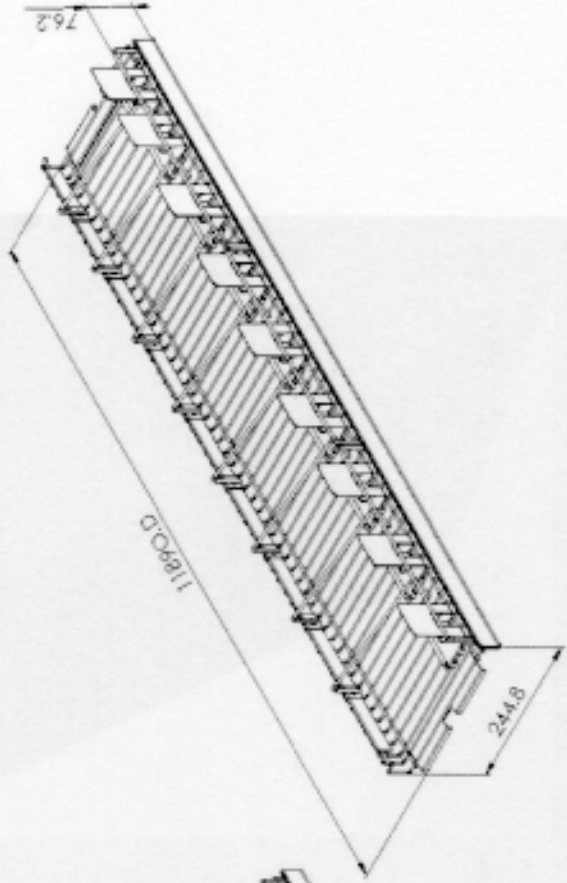
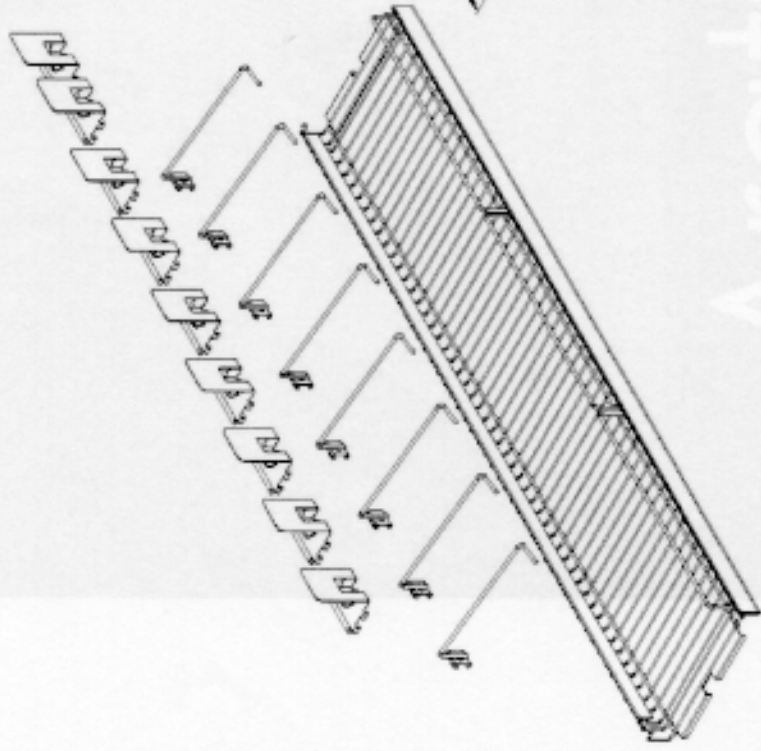
Description

COLOR

ABD104801C003

SHELF GAMING KIT (WAGAME4KITD) BLK

BLK



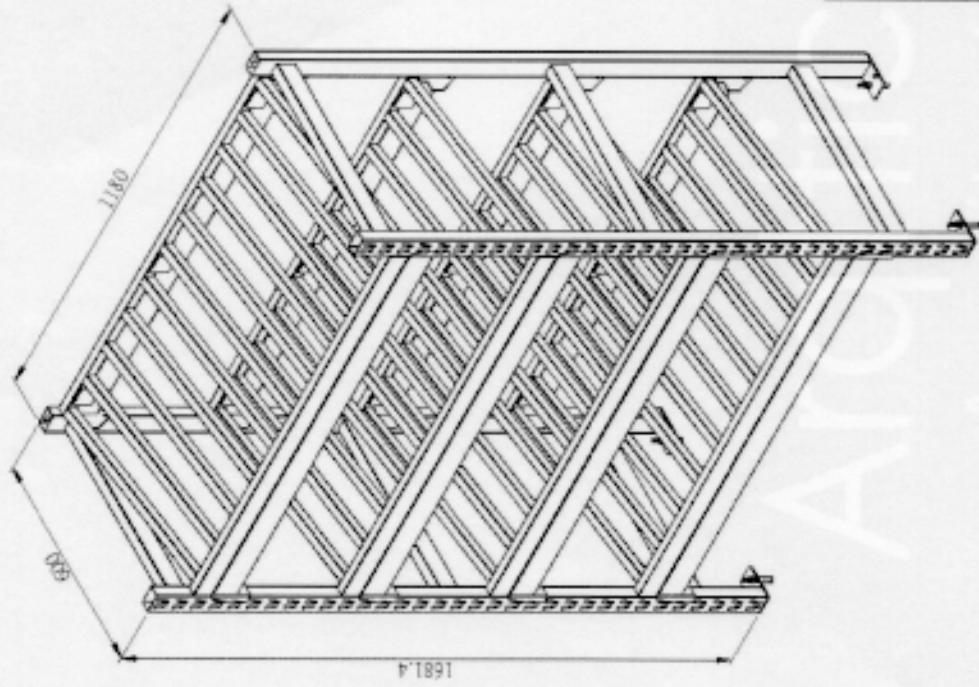
NOTE:  
 1.Material: Sheet, Wire  
 2.UNIT mm

DESIGN	TITLE	PART NO.	REV	DATE
DESIGNED				
DRAWN				
EST. RAGE PROJECTION				
Mairmon Retail		2014-1-15		
Store Fixtures				
APPROVED	SCORE	2:20	PAGE	1-1



CUSTOMER

Part No.	Description	Col or
AS00415MM0654	Car Batteries Rack 47" x 24" x 66" SV	SV



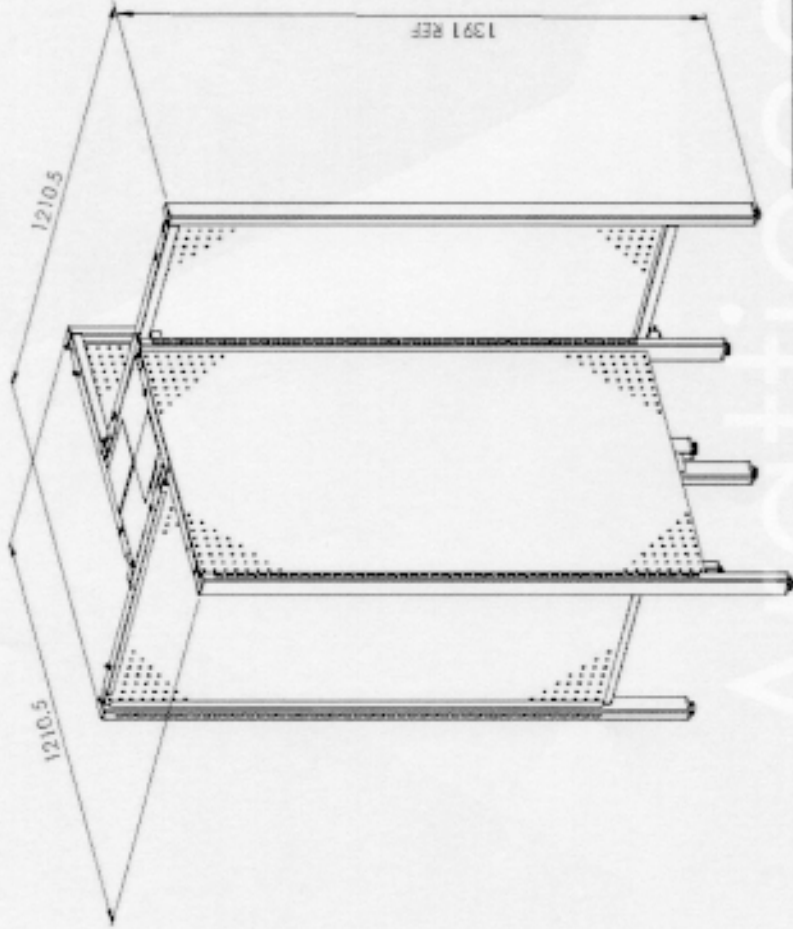
NOTE:  
 1 Material: Sheet&Tube  
 2 UNIT:mm

DRAWN		TITLE	
DESIGNED		DWG NO	
CHECKED		TBT ANGLE PROJECTION	PAGE NO
APPROVED		<b>Marmon Retail Store Fixtures</b>	TBT DATE 2014 3 14
		SCALE	PAGE 1-50
			PAGE 1-5



CUSTOMER

Part No.	Description	Col or SV
ASG0016FW0654	Folding 4-way SV	SV



NOTE:  
 1. Material: Sheets & Tubes & Wood  
 2. UNIT: mm

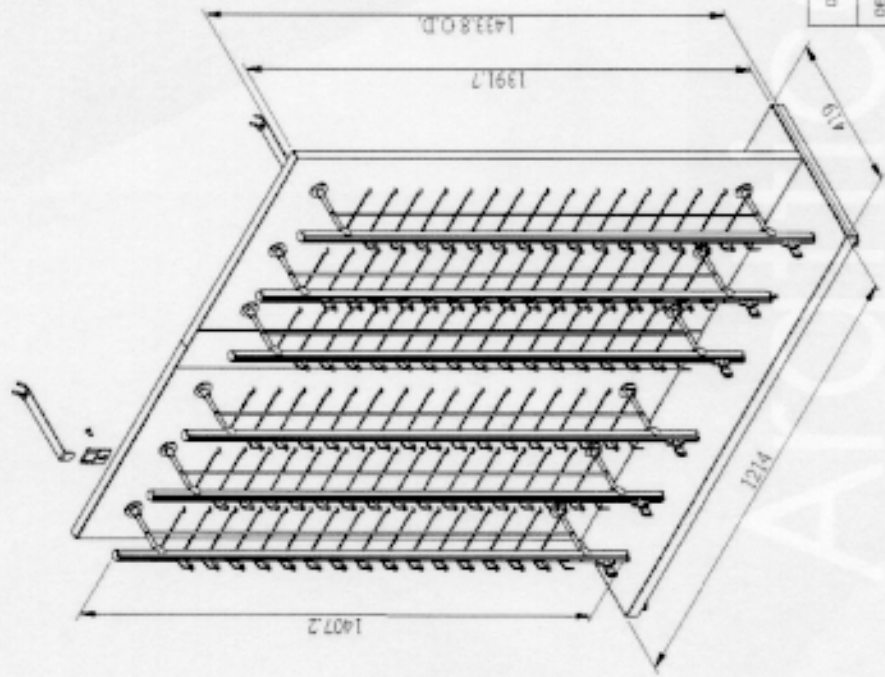
DRAWN		TITLE	
DESIGNED		DWG NO.	
CHECKED		PART NO.	
APPROVED		1ST DATE	2014-1-14
		SCALE	1:50
		PAGE 1-1	

**Marmon Retail  
Store Fixtures**



CUSTOMER

Part No.	Description	Color
ASC0148/MC215	Single assembly 18" x 48" x 66" RS	RS



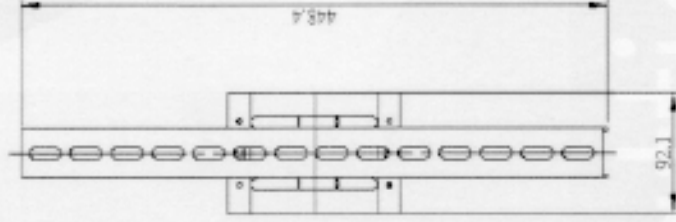
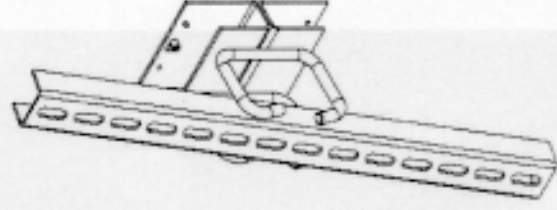
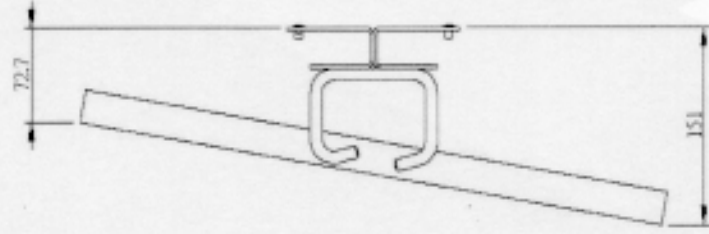
NOTE:  
 1 Material: Sheet & Tube & Wire  
 2 UNIT mm

DESIGN	TITLE		
DESIGNED	DWG NO.		
CHECKED	1ST ANGLE PROJECTION	PART NO.	
APPROVED	<b>Maimon Retail</b>	1ST DATE	2014-1-14
	<b>Store Fixtures</b>	SCALE	1:50
		PAGE	1-1



CUSTOMER

Part No.	Description	Color
AOT1996MXC003	LCD TV mounting bracket 1'1"×48" BLK	BLK



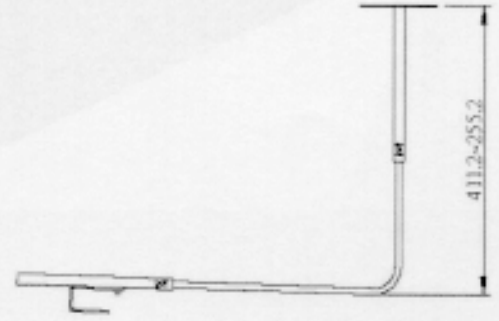
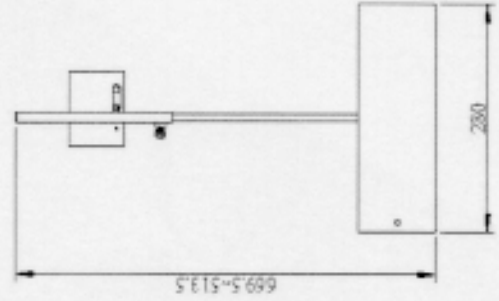
NOTE:  
1. Material: Sheet&Wire  
2. UNIT:mm

DESIGN	TITLE	DATE	SCALE	PAGE
DRAWN				
CHECKED				
APPROVED				
MAT	FINISH	1:ST ANGLE PROJECTION	PART NO.	1:ST DATE
				2014-1-14
<b>Mairmon Retail Store Fixtures</b>				1:ST DATE
				SCALE
				1:ST
				PAGE
				1-1



CUSTOMER

Part No.	Description	Color
AOT1997MXC003	Electronics overhead plasma display BLK	BLK



NOTE:  
 1 Material: Sheet&Tube  
 2 UNIT:mm

DRAWN		TITLE	
DESIGNED		DWG NO.	
CHECKED		1:1 AVAILABLE PROJECTION	
APPROVED		PART NO.	
		1:1 DATE	2014-1-14
		SCALE	1:50
		PAGE	1-1

**Maimon Retail**  
**Store Fixtures**

Arquitecto

