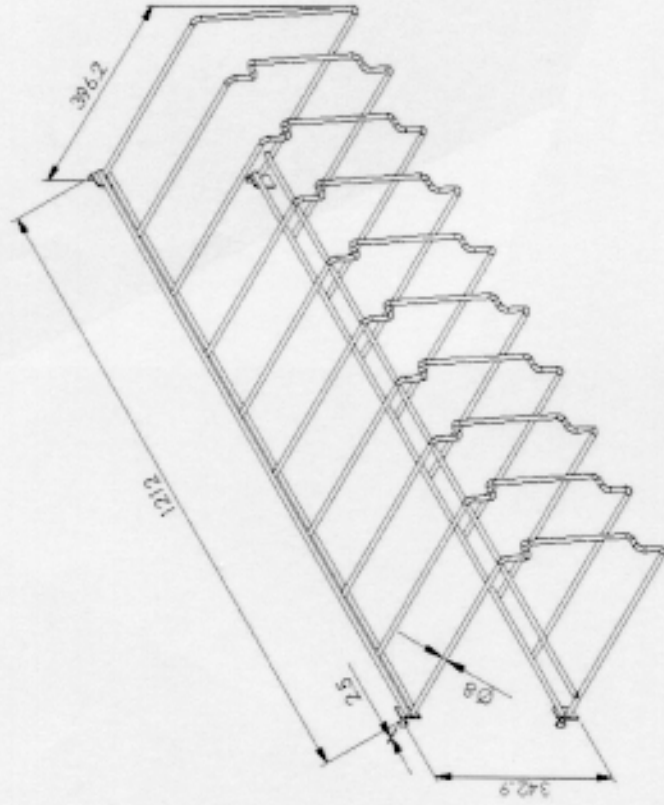


CUSTOMER

PART NO.	Description	COLOR
AOT0471MXC654	Blind Divider 12" * 48" SV	SV



NOTE:
 1 Material: Sheet, Wire
 2 UNIT: mm

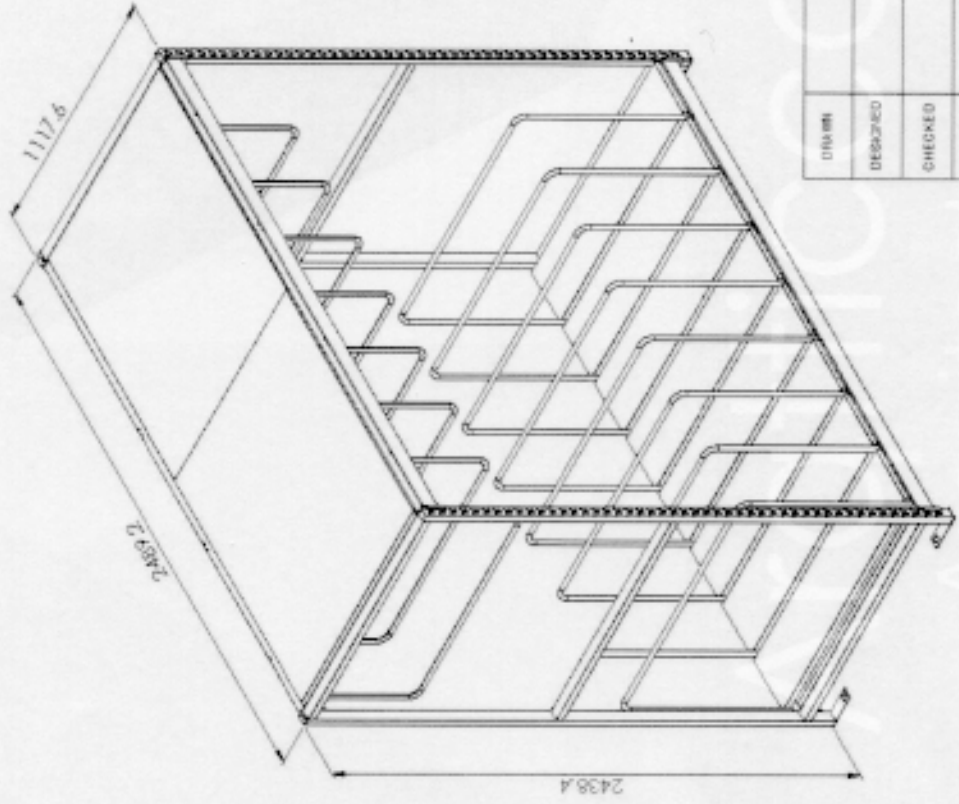
DESIGN	TITLE	DATE	SCALE	PAGE	TOTAL
DESIGNED	EMG/NO.				
CHECKED	1ST ANGLE PROJECTION	PART NO.	1ST DATE	2014-1-18	
APPROVED	Maimon Retail Store Fixtures	SCALE	1:30	PAGE	1/1

Arquitectura



CUSTOMER

Part No.	Description	Col or SV
AS00071MOC654	Mattress Rack Display 94" x 44" SV	SV



NOTE:
 1 Material: Sheet&Tube
 2 UNIT:mm

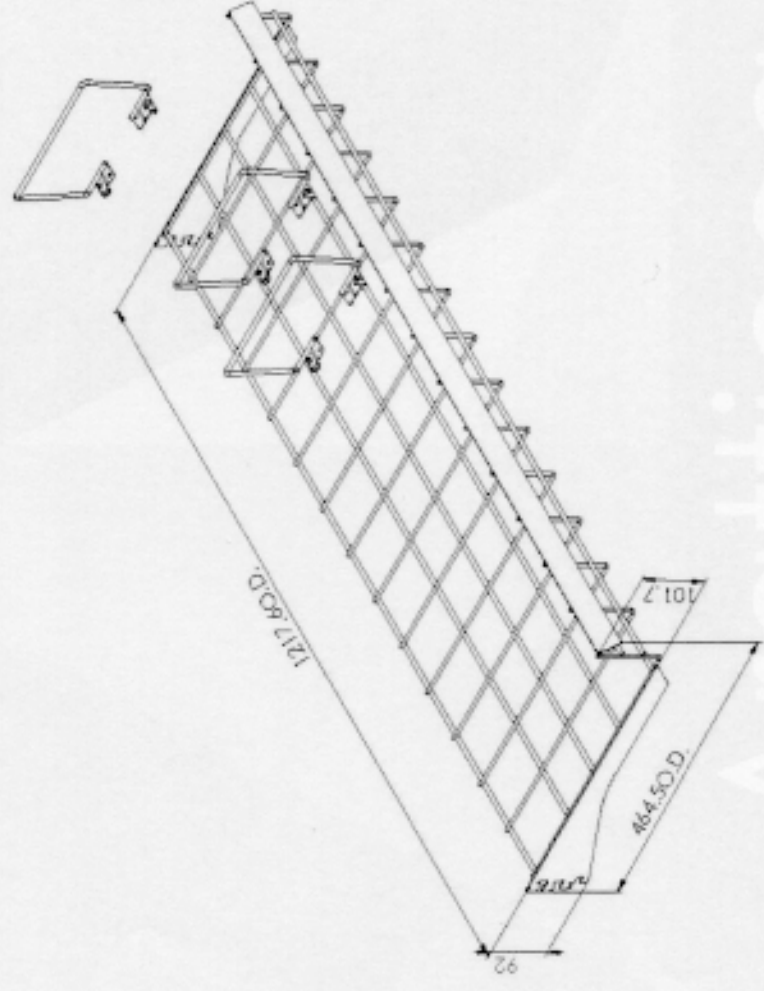
DRAWN	TITLE	MAT	
DESIGNED	DWG NO.	FINISH	
CHECKED	1ST ANGLE PROJECTION	PART NO.	
APPROVED		1ST DATE	2014-1-14
		SCALE	1:50
		PAGE	1-1

Marmon Retail Store Fixtures



CUSTOMER

PART NO.	Description	COLOR
ABD0174MXC654	SHELF BATHMAT W/8 DIVIDERS SETPCRP SV	SV



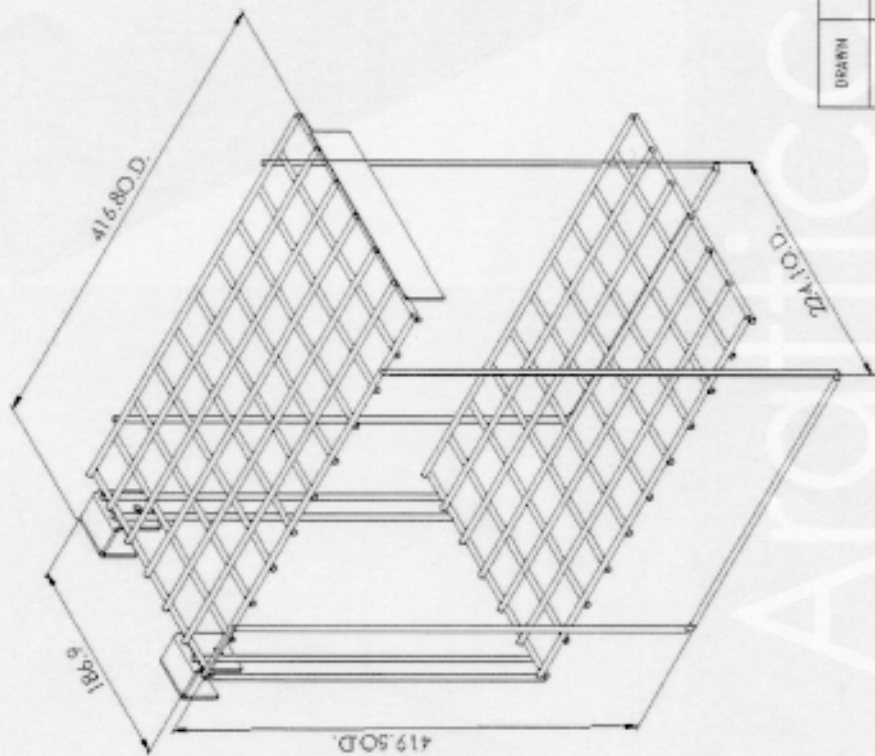
NOTE:
 1 Material: Sheet, Wire
 2 UNIT: mm

DRAWN		TITLE	
DESIGNED		DWG NO.	
CHECKED		1ST ANGLE PROJECTION	PART NO.
APPROVED		Marmon Retail Store Fixtures	1ST DATE
		SCALE	1:20
			2014-1-13
			PAGE
			1-1



CUSTOMER

PART NO.	Description	COLOR
ABD0233 MXC654	8" * 18" Broom mop handle display SV	SV



NOTE:
 1. Material: Shed & Wire
 2. UNIT mm

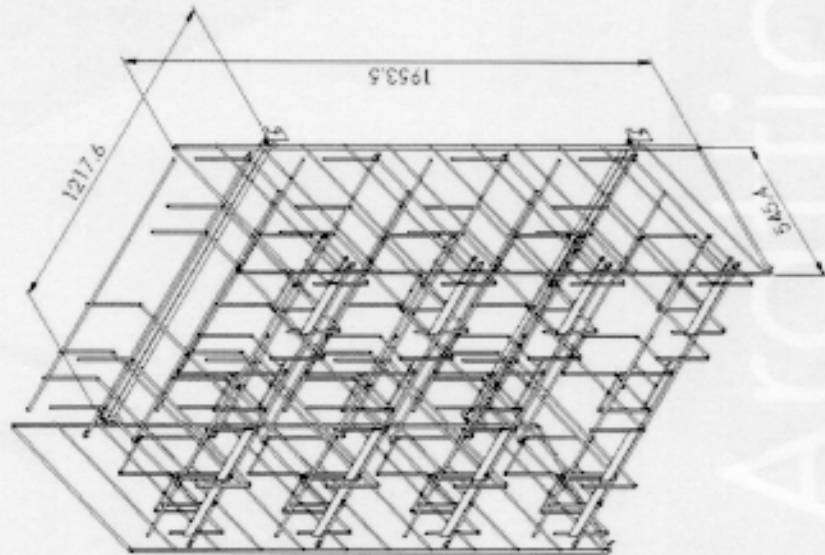
DRAWN	TITLE	MAT	
DESIGNED	DWG NO.	FRESH	
CHECKED	1ST ANGLE PROJECTION	PART NO.	
APPROVED		Marmon Retail Store Fixtures	
		SCALE	1:10
		1ST DATE	2014-1-14
		PAGE	1-1



CUSTOMER

60300000

PART NO.	Description	COLOR
ABD244804C654	Pillow display 24" x 48 x 78" SV	SV



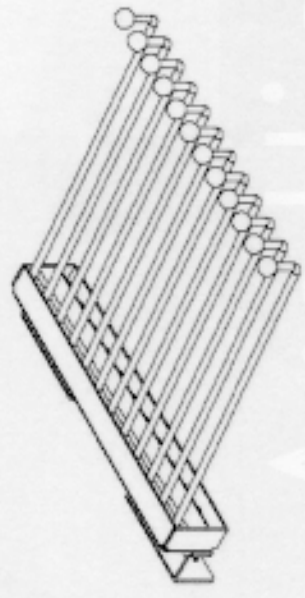
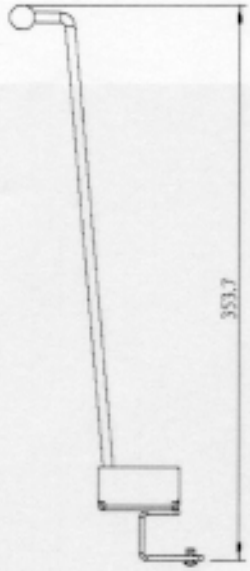
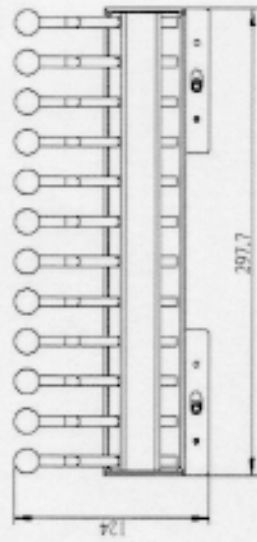
NOTE:
1 Material: Sheet, Wire
2 UNIT mm

DRAWN	DATE	TITLE	SCALE	DATE
DESIGNED		DWG NO.		
CHECKED		EST ANGLE PROJECTION	PART NO.	2014-1-15
APPROVED		Marmon Retail		
		Store Fixtures		
		SCALE	1:1	PAGE
				1/1

CUSTOMER

00000000

PART NO.	Description	COLOR
AOT0605MXC654	Soft Window Curtain Bracket	SV



NOTE:
 1 Material: Sheet
 2 UNIT: mm

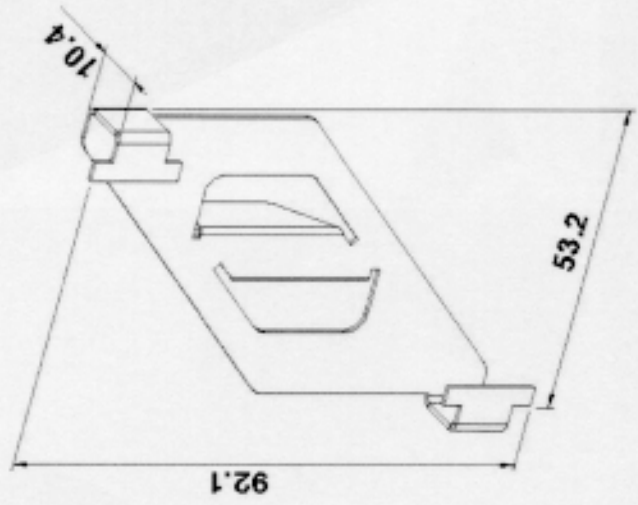
DESIGN	TITLE	
DESIGNED	DWG NO.	
CHECKED	1ST ANGLE PROJECTION	PART NO.
APPROVED	Marmon Retail Store Fixtures	1ST DATE
	SCALE	PAGE
	1:20	1-1

Arquitectura



CUSTOMER

PART NO.	Description	COLOR
A0T0001CLC215	T-Sys clip for hardboard RS	RS



NOTE:
 1 Material: Sheet
 2 UNIT: mm

DESIGN	DATE	TITLE	SCALE	SHEET NO.	TOTAL SHEETS
DESIGNED		ENG'G NO.			
CHECKED		DATE			
APPROVED					
Waimon Retail Store Fixtures					
			SCALE	1:5	
					14

Arqtic
 Arquitectura

