

CUSTOMER

PART NO.

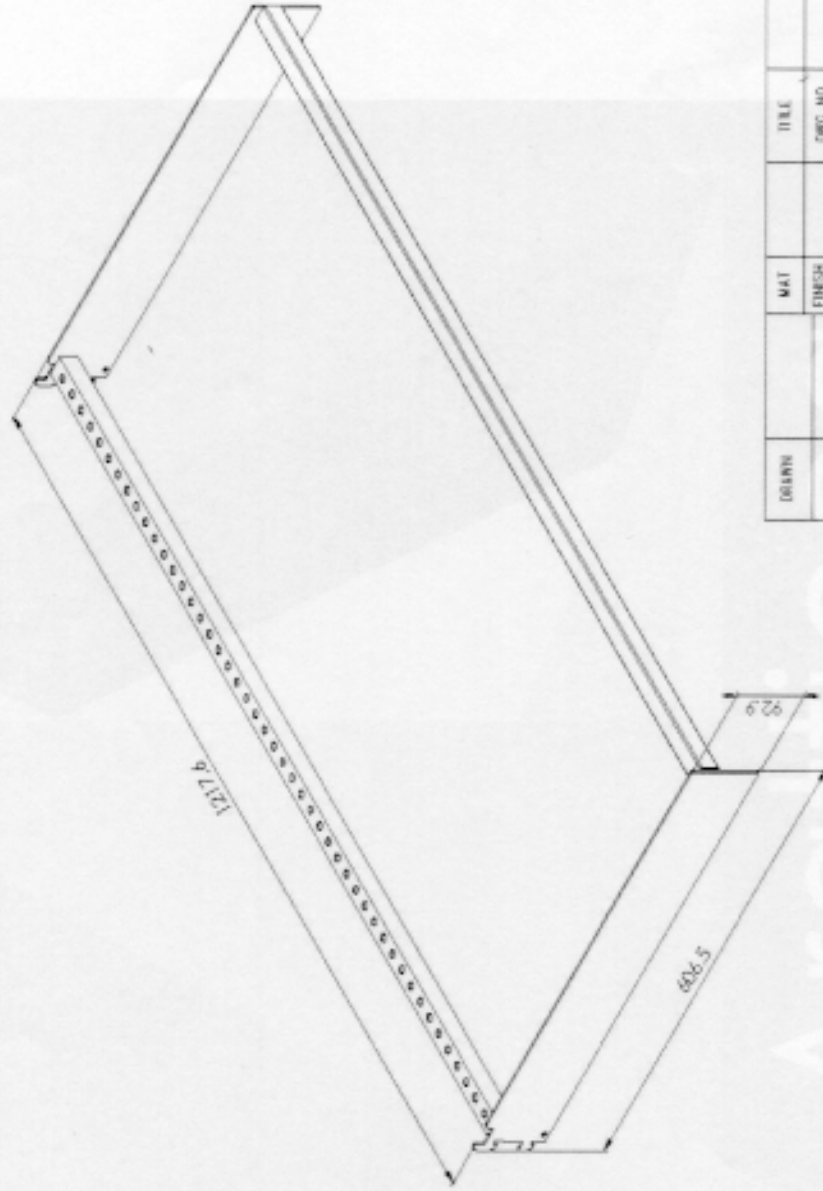
AOT1022MXC654

Description

DISPLAY RUG FRAME CANOPY 23.25IN DRS D20 SV

COLOR

SV



NOTE:
 1.Material: Sheet & Tube
 2.UNIT:mm

DESIGN	MAT	TITLE
DESIGNED	FRESH	DRG NO.
CHECKED	1ST ANGLE PROJECTION	PART NO.
APPROVED	Marmon Retail	1ST DATE
	Store Fixtures	2014-1-15
	SCALE	1:20
	PAGE	1-1

Arquitectura



CUSTOMER

PART NO.

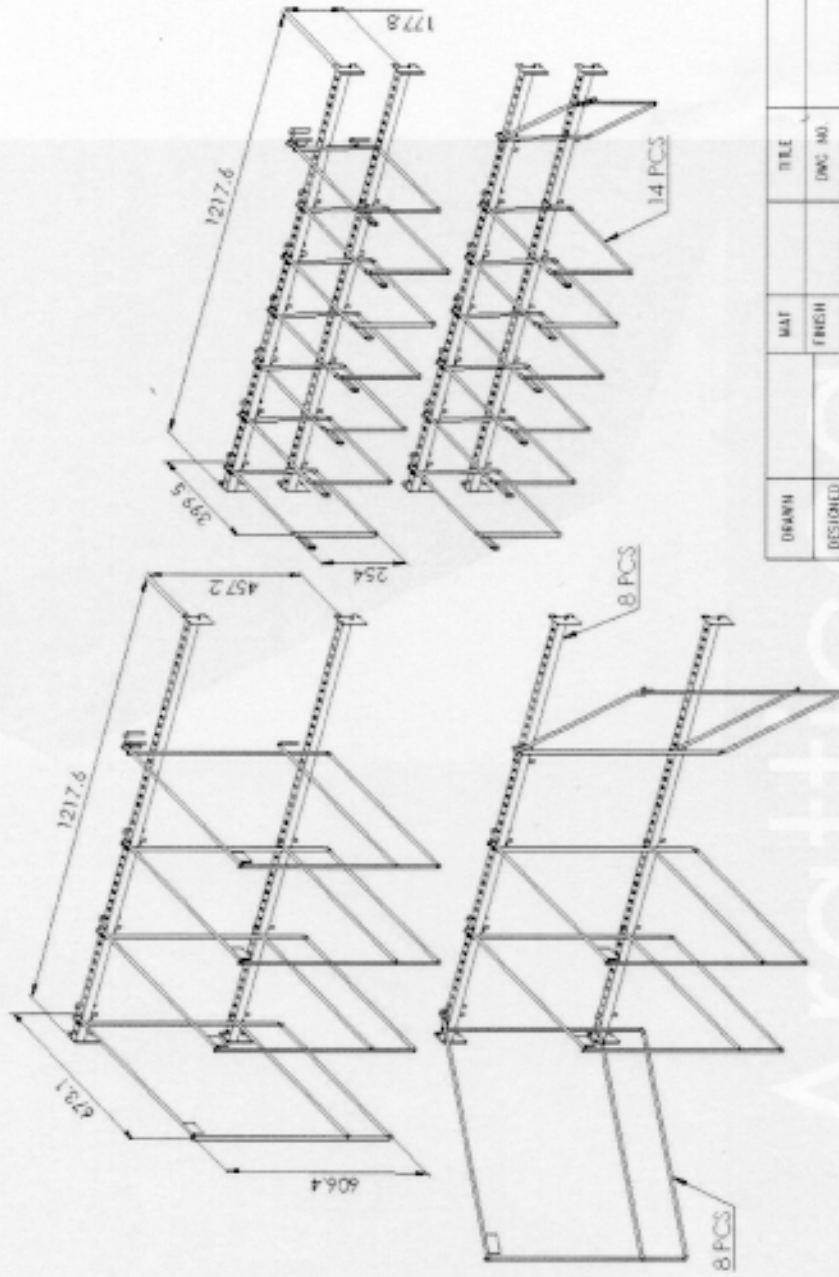
AOT1020MXC654

Description

DIVIDER POSTER FRAME KIT "A" PCRP SV

COLOR

SV



NOTE:
 1. Material: Sheet & Tube & Wire
 2. UNIT: mm

DRAWN	MAT	TITLE	DWG NO.
DESIGNED	FRSH		
CHECKED	1ST ANGLE PROJECTION	PART NO.	
APPROVED		1ST DATE	2014-1-15
		SCALE	1:50
		PAGE	1-1

Marron Retail
Store Fixtures

Arquitectura



CUSTOMER

PART NO.

Description

COLOR

A01134MX0354

Divider for Display Rug Frame Canopy SV

SV



NOTE:
 1 Material: Sheet & Wire
 2 UNIT: mm

Arattico

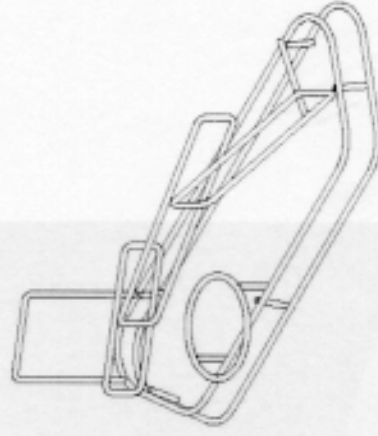
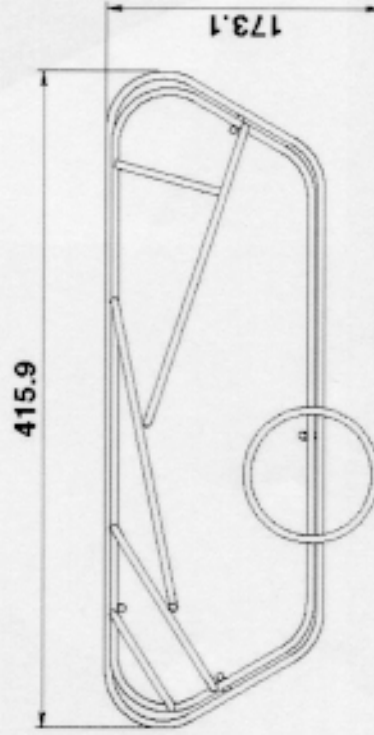
Arquitectura

DRAWN	MAT	TITLE
DESIGNED	FINISH	DWG. NO.
CHECKED	1ST ANGLE PROJECTION	PART NO.
APPROVED	Marron Retail	1ST DATE
	Store Fixtures	2014-1-15
	SCALE	PAGE
	1:5	1-1

CUSTOMER

00000

PART NO.	Description	COLOR
A0T0403MXC215	Dish display RS	RS
A0T0403MXC654	Dish display SV	SV



NOTE
 1. Material: Wire
 2. UNIT mm

DESIGN	TITLE	DATE	SCALE	PAGE	TOTAL
DESIGNED	EMIS/NO.				
DRAWN					
1ST ANGLE PROJECTION		PART NO.	2014-1-18		
Mairmon Retail Store Fixtures		1ST DATE	2014-1-18		
APPROVED		SCALE	1:1	PAGE	1/1

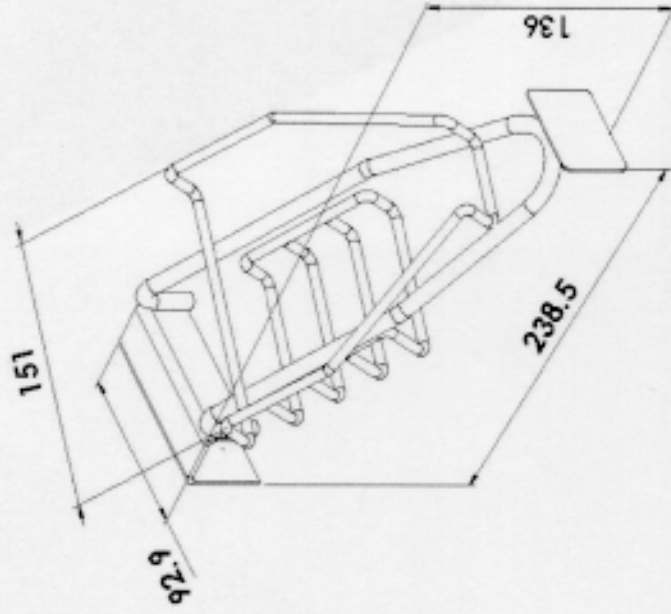
Arqttic

Arquitectura



CUSTOMER

PART NO.	Description	COLOR
A0T0160MKC215	Iron holder RS	RS
A0T0160MKC654	Iron holder SV	SV



NOTE:
1 Material: Sheet, Wire
2 UNIT: mm

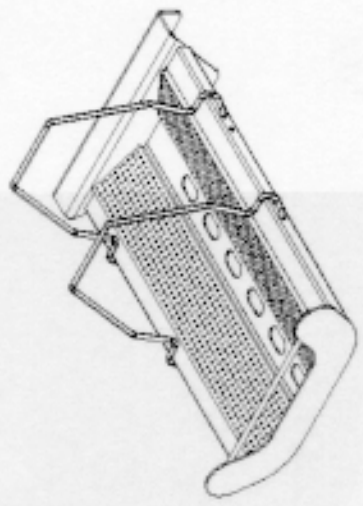
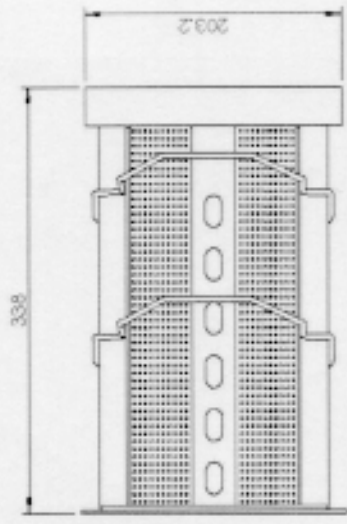
DRAWN		TITLE A	
DESIGNED		DWG NO.	
CHECKED		PART NO.	
APPROVED		1ST ISSUE PROJECTION	
		Maimon Retail	1ST DATE
		Store Fixtures	2014.1.18
		SCALE	1:1
		PAGE	1/1

Arqtica
Arquitctura



CUSTOMER

PART NO.	Description	COLOR
ACT0154MXC654	Dinnerware Display Rack 12" sv	SV



NOTE
 1. Material - Sheet
 2. UNIT mm

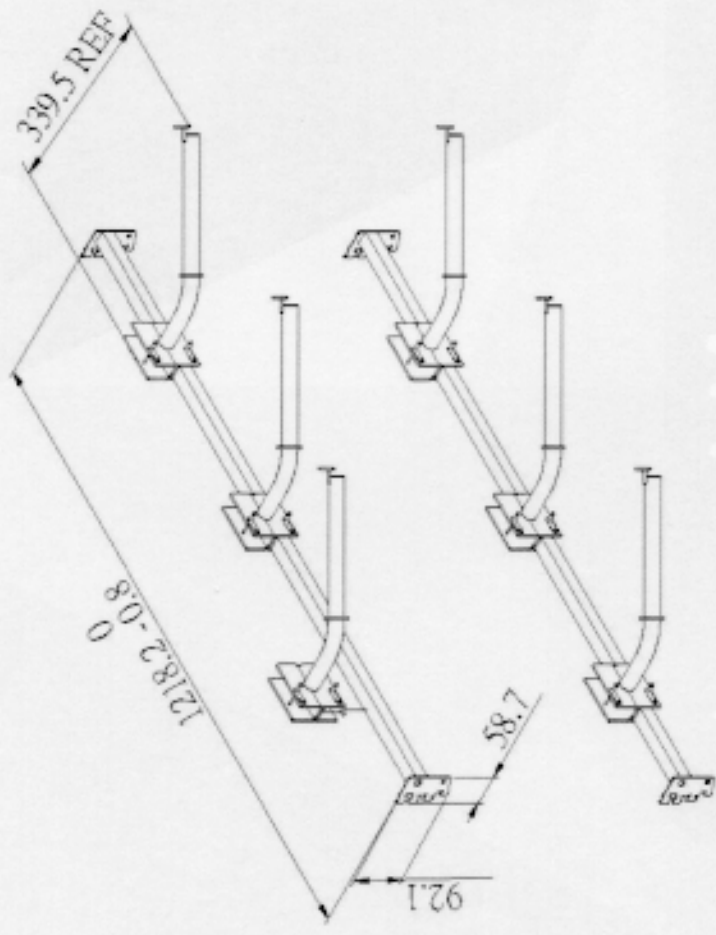
DESIGN		TITLE	
DESIGN		DATE	
CHECK		REV	
APPROVED		SCALE	1:1
PROJECT INFORMATION		PART NO.	
Marmon Retail Store Fixtures		LIST DATE	2014-1-15

Arqtica
 Arquitectura



CUSTOMER

PART NO.	Description	COLOR
A0T0012MIC654	Floor mat display 12" w/ T-Bar SV	SV



NOTE:
 1 Material: Sheet, Tube
 2 UNIT:mm

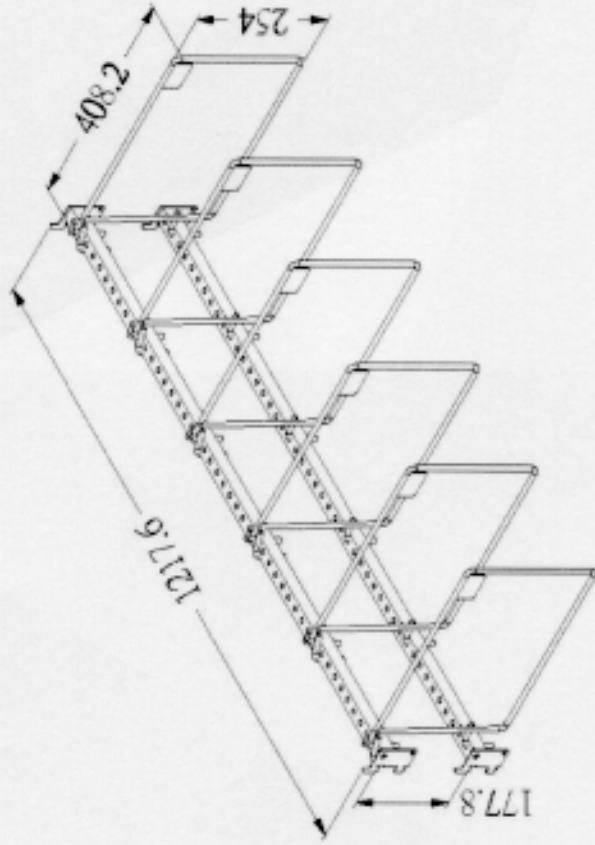
DESIGNER	DATE	TITLE	SCALE	SIZE
DESIGNED		DWG. NO.		
CHECKED		EST. ANGLE PROJECTION	PART NO.	2014-1-18
APPROVED		Marmon Retail Store Fixtures		1:18
			1:18	1:1

Arqtic
 Arqitectura



CUSTOMER

PART NO.	Description	COLOR
AOT0153MXC654	Door Mirror Rack	SV



NOTE:
 1. Material: Sheet, Wire, Tube
 2. UNIT:mm

DESIGN	PRT	TITLE	PRT NO.	SCALE	PAGE
DESIGNED	PROJ	DRG NO.			
CHECKED	1ST ANGLE PROJECTION		PRT NO.	1:50	1-1
APPROVED	Marmon Retail Store Fixtures		ISS DATE	2014-1-18	

Arquitectura

